

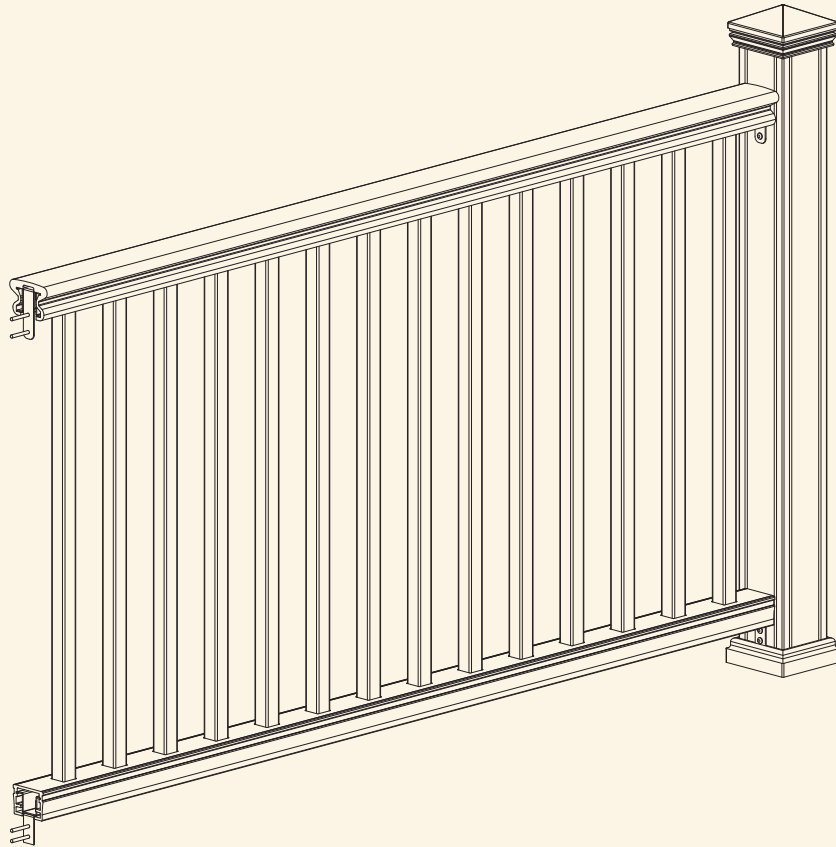


NATURAL BEAUTY that lasts

EON® TRADITIONAL RAILING INSTALLATION GUIDE

Welcome to Eon. The following instruction manual will assist you with the installation of your Traditional Handrail Kit. For more information on Eon's complete matching collection of outdoor living products including decking, railing and fencing contact us at: 1 (866) 342-5366 / 1 (866) DIAL-EON or visit us at our website: www.eonoutdoor.com

ASSEMBLED RAILING:



KIT INCLUDES

- Top metal channel (1.68"H x 1.27"W has holes along top and one side)
- Bottom metal channel (1.4"H x 1.27"W holes on the top only)
- Eon top rail
- Eon bottom rail
- Eon balusters x14
- Hardware Kit (small brackets x2, large brackets x2, 1" baluster screws x14, Hex metal screws x8 and 1 1/2" wood screws x8)

SOLD SEPARATELY

- Post kit (includes post sleeve, collar and cap)

TOOLS NEEDED

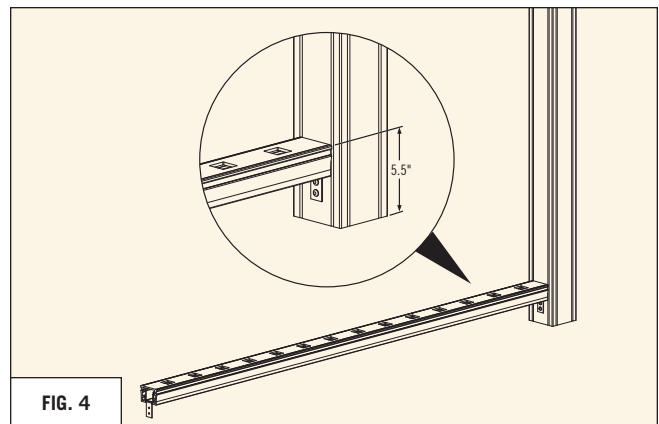
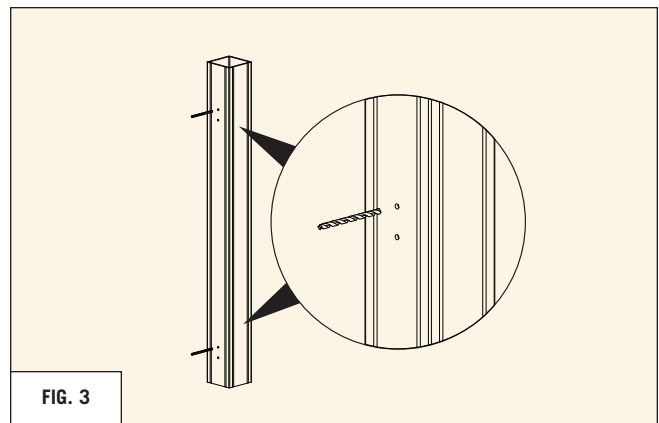
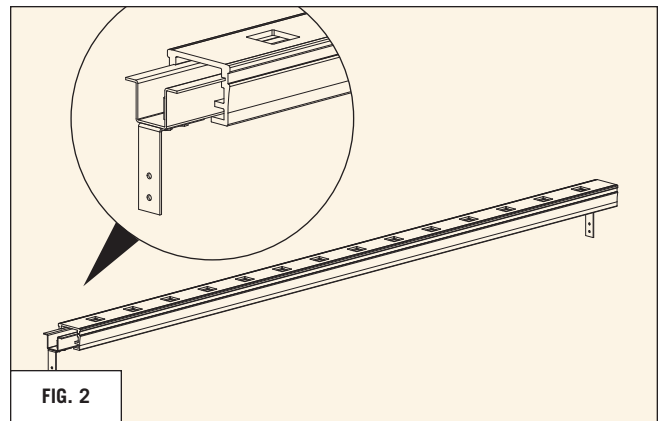
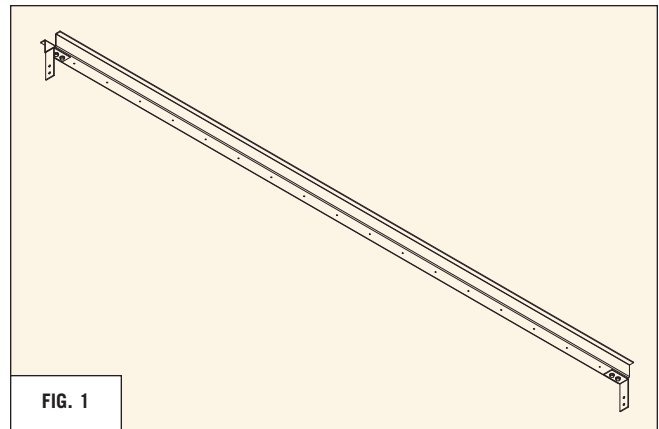
- Drill
- #2 Philips bit
- 3/8" drill bit
- 5/16" socket bit

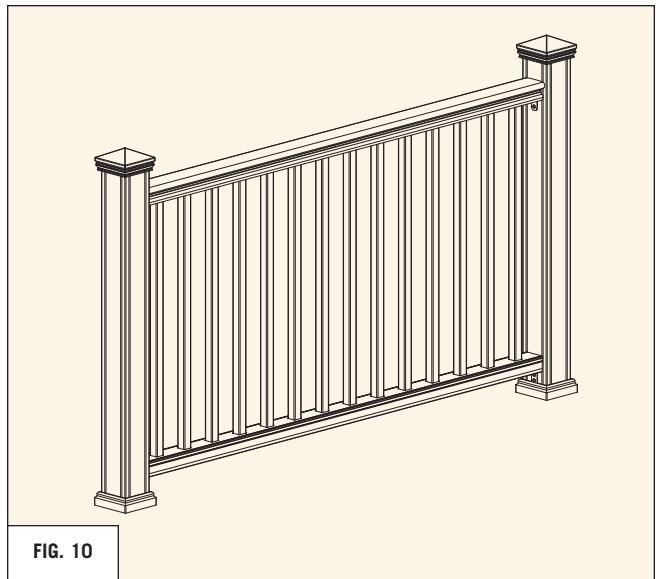
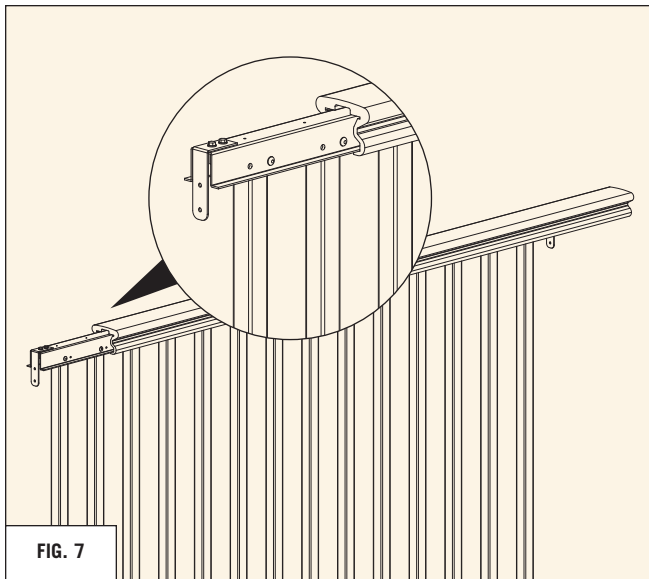
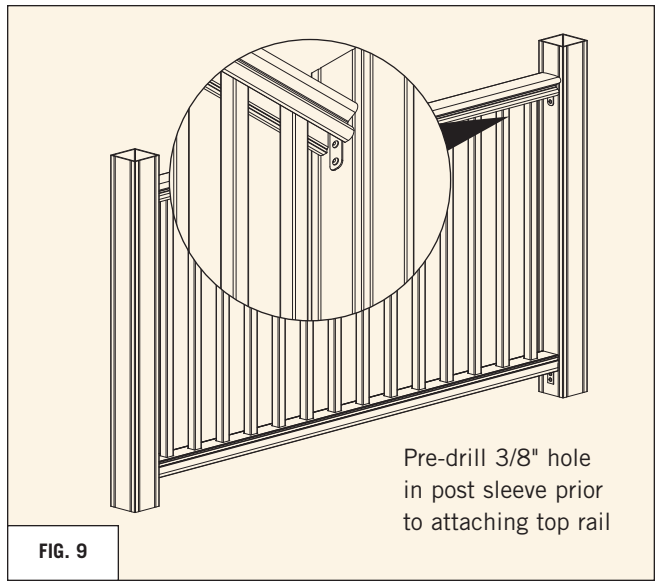
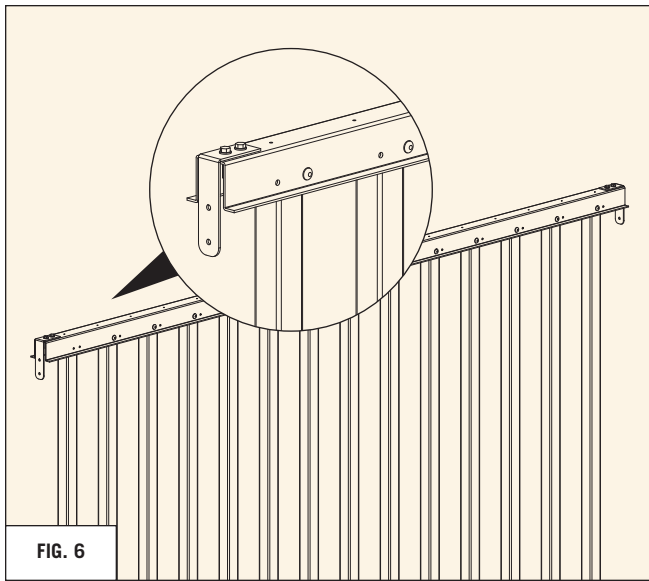
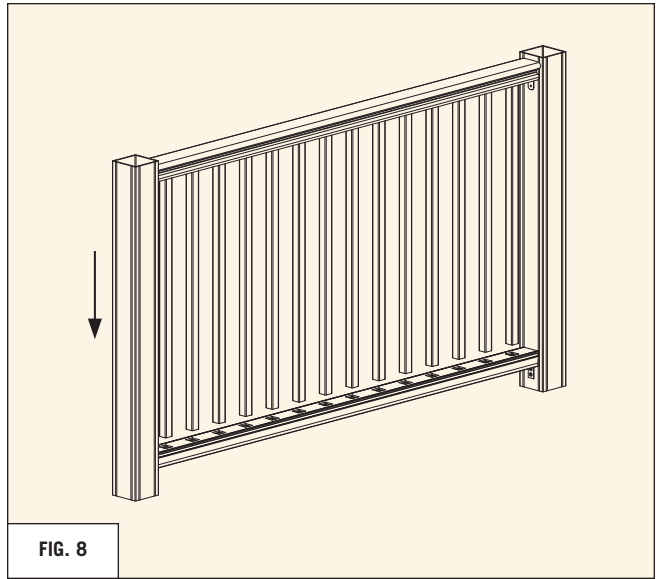
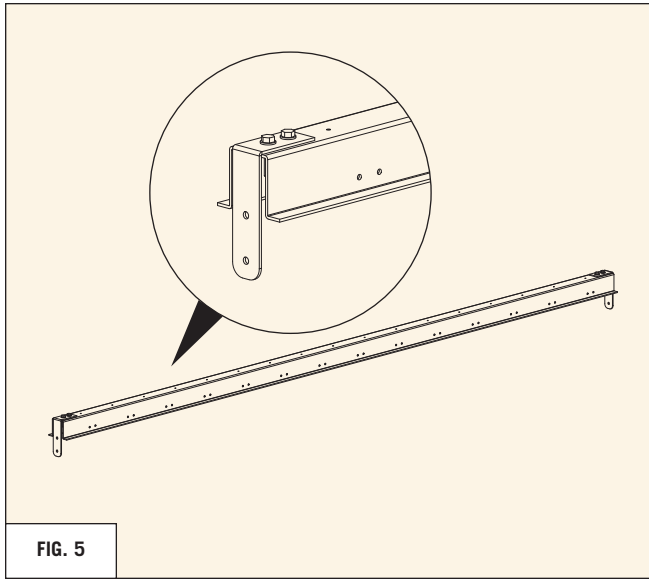
INSTALLATION STEPS

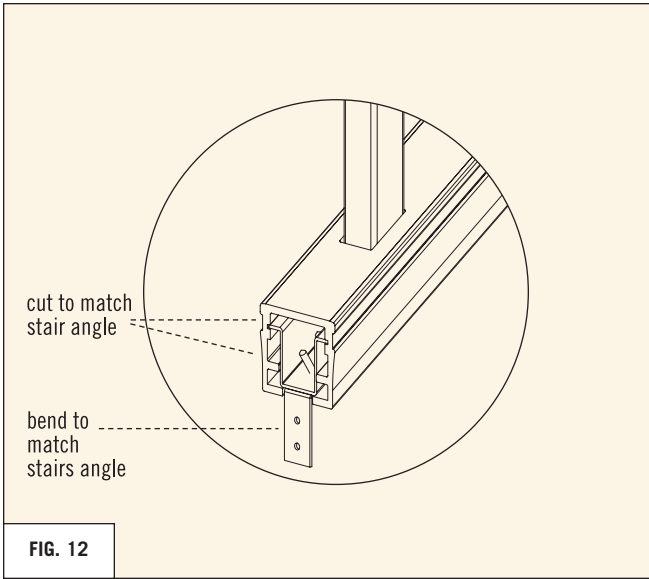
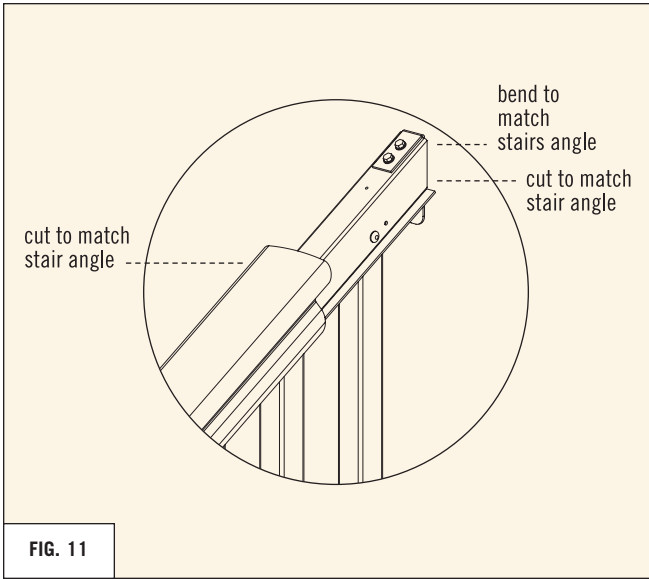
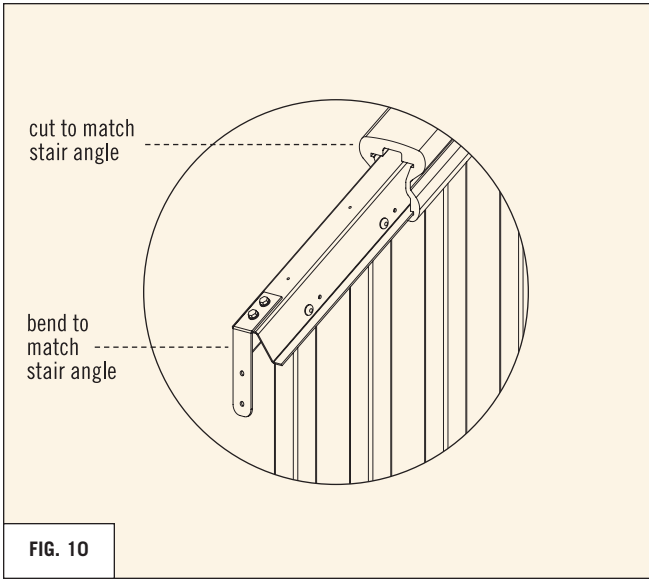
- Attach a small bracket to each end of the bottom metal channel using 2 Hex metal screws each. (The bracket should extend away from the channel). **(FIG. 1)**
- Slide Eon bottom rail onto metal channel (open side of channel facing up). **(FIG. 2)**
- Slide Eon post sleeve over lumber post.
- Post sleeve must be pre-drilled 3/8" prior to attaching the Top and Bottom rails. **(FIG. 3)**
- Attach bottom rail assembly to the posts. The top of the bottom rail assembly should be 5.5" from the deck surface. Ensure bottom rail is level. **(FIG. 4)**

Note: Blocks precut to 3.375" can be used to support the railing while installing to achieve the 5.5" height.

- Attach the short end of a large bracket to each end of the top metal channel using 2 Hex metal screws each (the bracket should extend over the opening of the channel). **(FIG. 5)**
- Insert balusters into the top metal channel lining each one up with the holes in the side. **(FIG. 6)**
- Attach balusters using one baluster screw in each right hand hole.
- Slide Eon top rail onto top metal channel. **(FIG. 7)**
- Line up the balusters with the holes in the bottom rail and drop into place. **(FIG. 8)**
- Tap with a rubber mallet to ensure balusters are completely inserted
- Post sleeve must be pre-drilled 3/8" prior to attaching the top and bottom rails. **(FIG. 3)**
- Attach the Top railing to the post using 2 wood screws in each bracket. **(FIG. 9)**
- Install post collar. **(FIG. 10)**
- Apply a silicone bead 3/16" inside the post cap peak and fasten to cap adapter.
- Apply a silicone bead 3/16" inside the cap adapter and fasten to post sleeve.







STAIR RAIL INSTALLATION

- The installation of an Eon Stair Rail is similar to the installation of the railing kits. Follow the same procedure as the railing installation with the following exceptions:
- Holes in top metal channel must be to the right (when facing up the stairs). **(FIG. 10)**
- The top end of the top metal channel must be miter cut to match the stair angle. **(FIG. 11)**
- The bottom end of the bottom metal channel must be cut to match the stair angle. **(FIG. 12)**
- Both ends of the Eon top and bottom rails must be cut to match the stair angles.
- Metal brackets must be bent to match the stair angle.
- When attaching balusters use one baluster screw in each left hand hole. **(FIG. 10)**
- Consult local building code for the required distance between the stairs and the bottom rail.
- Assemble as per handrail instructions.

TIP: Lay railing on stairs and mark angles and distance.

NOTES:
